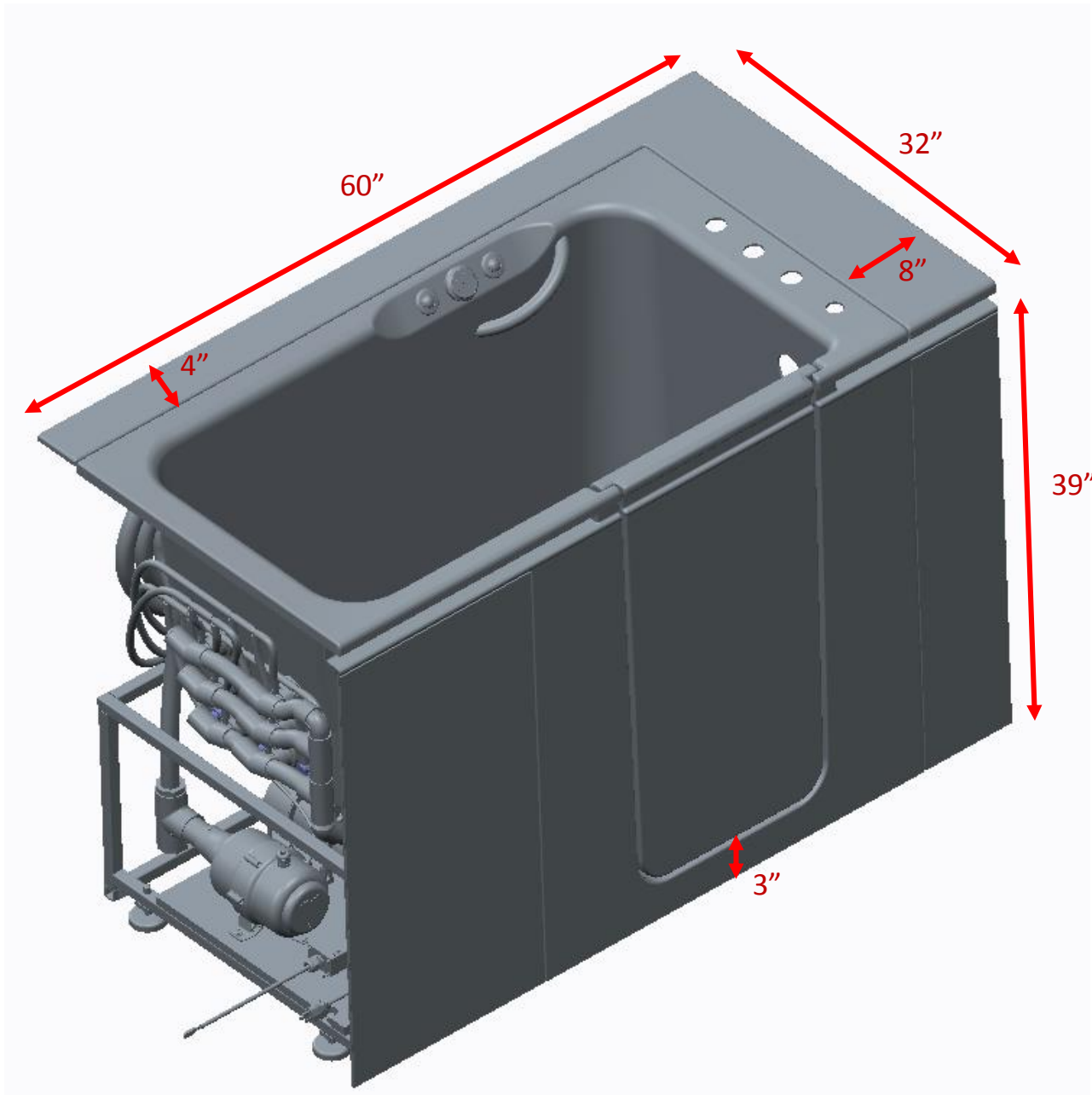
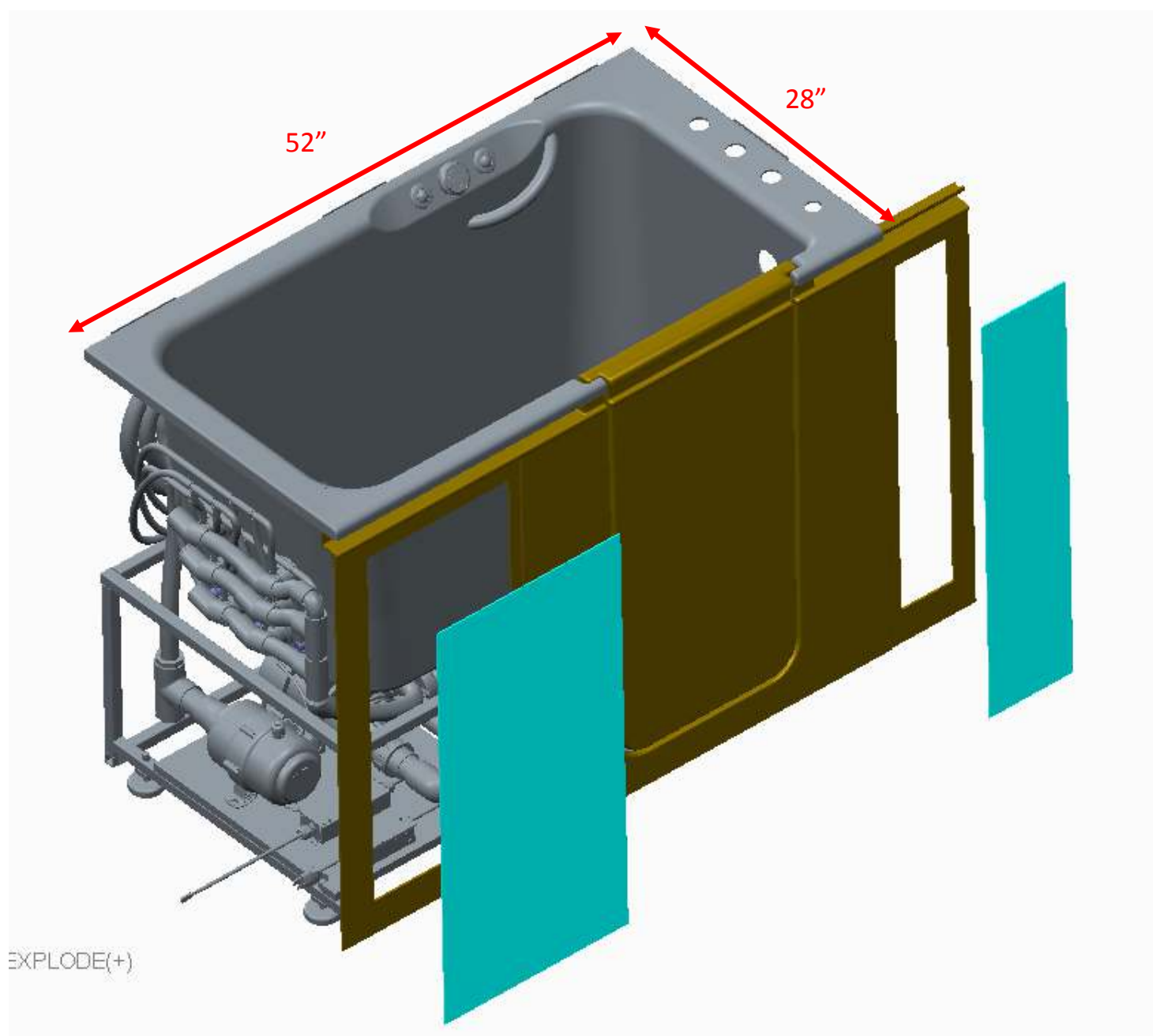


Product	Feature	Benefit
Ko hler Wa lk-in Ba th	3 " ste p-in he igh t	Ens ure se a se of e nte ring and e xite ng the ba th – Lo we st in the in du stry
	Wide ope ning air-tigh t doo r	For ad ded ea se of ge tte ng in and ou t of the tub
	Inte ma lly mo unte d gri p rails	KO HLE R gri p rails mo unte d at opti mu m an gu lar lo ca tio n for ad ded sup po rt for mo ving in and ou t
	Exte ma l Inte gra te d ha nd rails	Uniq ue sa fe ty fe a tu re , de sig ne d by KO HLE R Hu ma n Fac to rs. Pro vi de s an as si st in and ou t of the ba th with a mi ni ma list ic , no n-in va si ve ae sthe tic
	52" x 28" x 39" ba th di me nsi ons	Al lo ws the ba th to fit th rou gh stan da rd 30" doo r ope ning
	31 ½ " Ba thing de pth (fro m ba th floo r to o ve rflo w)	Pro vi de s pri va cy for ba the r as we ll as the dee pe st so ak in the ma rke t at 13.6" (So ak is fro m se at to o ve rflo w)
	17" Ba th se at he igh t	Slan te d fo wa rd for ide al dra ina ge - ide al he igh t for Hu ma n Fac to rs
	21 ½" Se at Wid th	
	Opti ma l ha nd sho we r lo ca tio n	KO HLE R Aw a ke n ha nd sho we r lo ca te d at the ou si de of the ba th for ea sy ac ce ss by a ca re gi ve r
	KO HLE R Fo r te fa uc e ts	All Hy dro the rapy and so a ke r SKUs co me with KO HLE R Fo r te fa uc e try
	In clu de d ga p pa nels	To en su re fit for mo st a l co ve in sta lla tio ns and a re in clu de d with all ba th and hy dro the rapy SKUs
	Fre e sta nd ing fra me	Four le ve ling fe e t a llo w for qui ck in sta lla tio n
	One -SKU o rde r	Stre a m li ne d o rde ring and spe ci fi ca tio n pro ce ss with in clu de d ac ce ss pa nels, ga p pa nels and re qui re d fa uc e try
	Fa uc e t Fi ni she s	Brus he d Ni ce l & Po li she d Ch ro me
	Co lo rs	White & Bi sc uit
Ko hler Wa lk-in Hy dro the rapy ad di tio na l fe a tu re s	Bub ble Ma ssa ge™ ai r sy ste m	17 po rts will e nve lo p the ba the r with bub ble s cu sto mi za ble with 3 se tte ng s, hi gh spe e d, lo w spe e d, and ba ck on ly
	Whir po ol je t sy ste m	10 je ts offe re d on all hy dro the rapie s that a re ad ju sta ble for bo th in te nsi ty and di re c tio n 4 Fro nt Je ts: 2 be hind the ca lve s and 2 in fro nt of the leg s – pro vi de the op tio n of a ta rge te d ma ssa ge whe n tu me d on (one spe e d) 6 Ba ck Je ts: ta rge te d at ba ck & spi ne
	Bas k he a te d su rfa ce	Cu sto mi za ble 3-se tte ng (hi gh, me di um & lo w) he a te d ba ck & ne ck fu nct io na li ty to co mfo rt use r whe n ba th is fi lli ng and dra ining
	Inte nti o na l use r in te rfa ce pl a ce me nt	Hy dro the rapy co ntr ol s lo ca te d at the ide al po si tio n bo th fu nct io na lly and ae sthe tic ally

Additional Technical Specifications:

1. Ele c tric al Re qui re me nt: The KO HLE R Wa lk-in Ba th will nee d 2 de di ca te d 20amp ea ch 120V ci rc uits
2. Wa te r Ca pa ci ty: 85 ga llo ns (with ba the r) / 66.7 ga llo ns mi ni mu m (wa te r le ve l ju st abo ve the hi gh e st je t to e njo y the ex pe ri e nce)
3. The KO HLE R Wa lk-in Ba th co me s with In-li ne he a te r to ma in ta in wa te r te mpe ra tu re th rou gh whir po ol je t





52"

28"

EXPLODE(+)

